

Permission for free use for personal/DIY application only
Copyright 2016

Jos van Eindhoven

Sheet: /AudioAttenuator/
File: audio-attenuator.sch

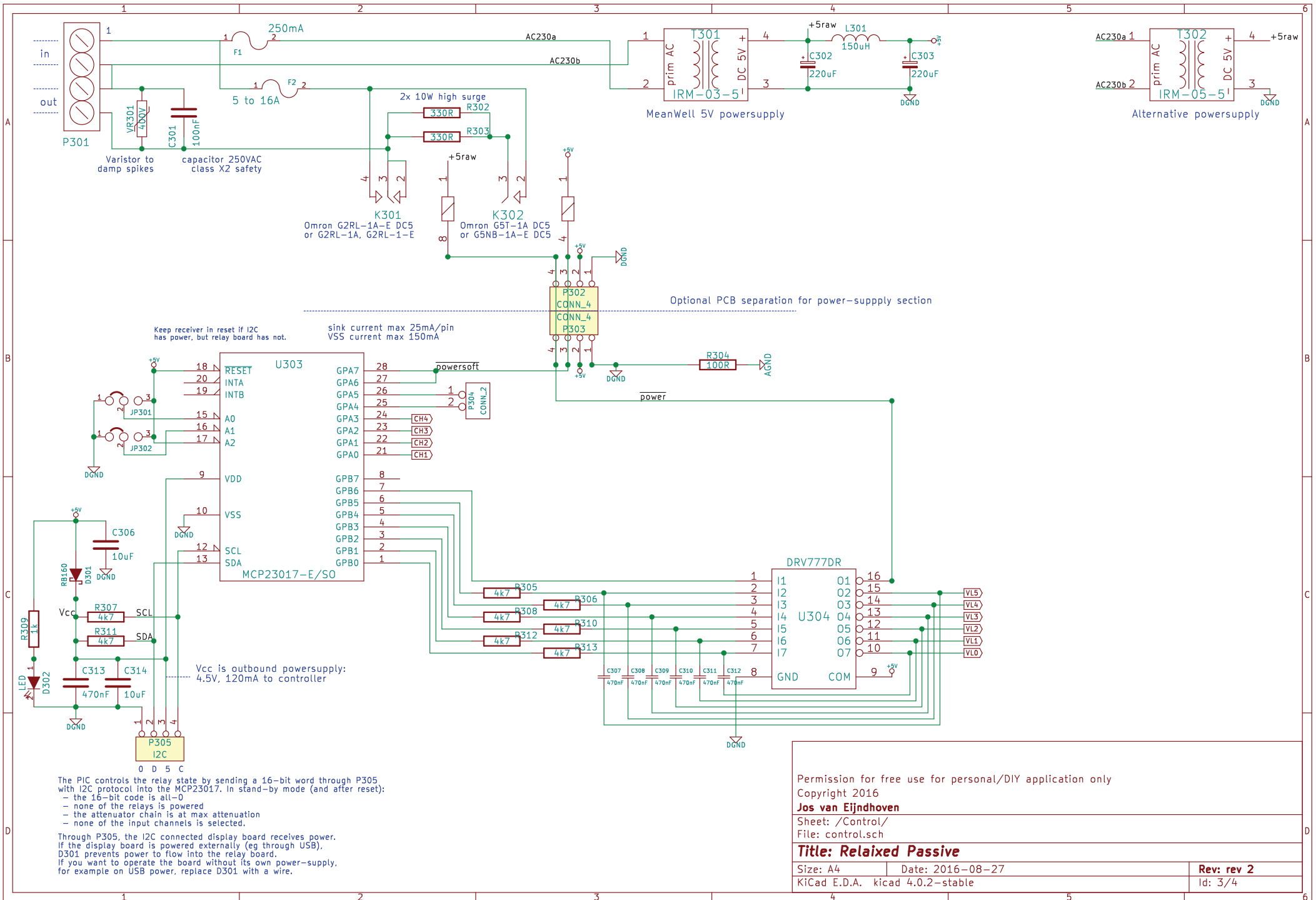
Title: Audio Attenuator

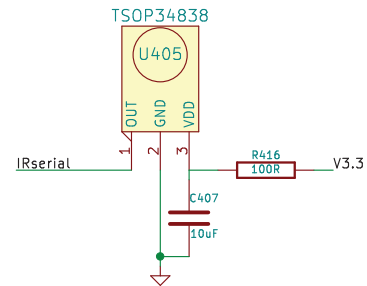
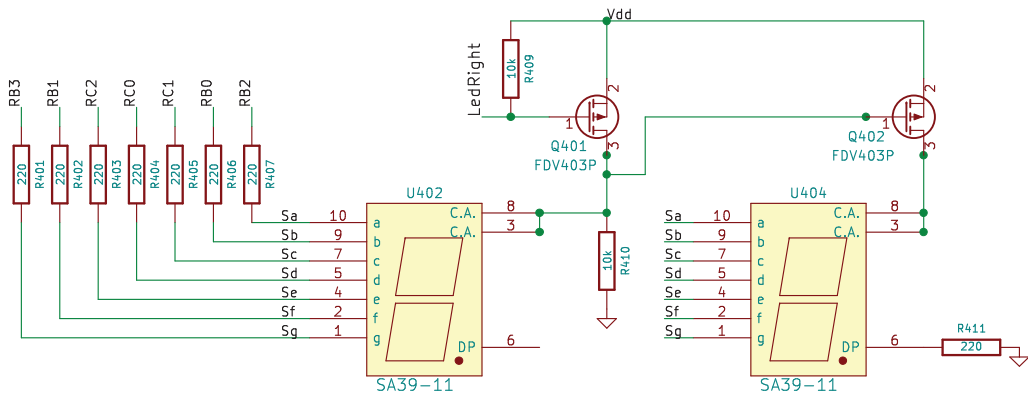
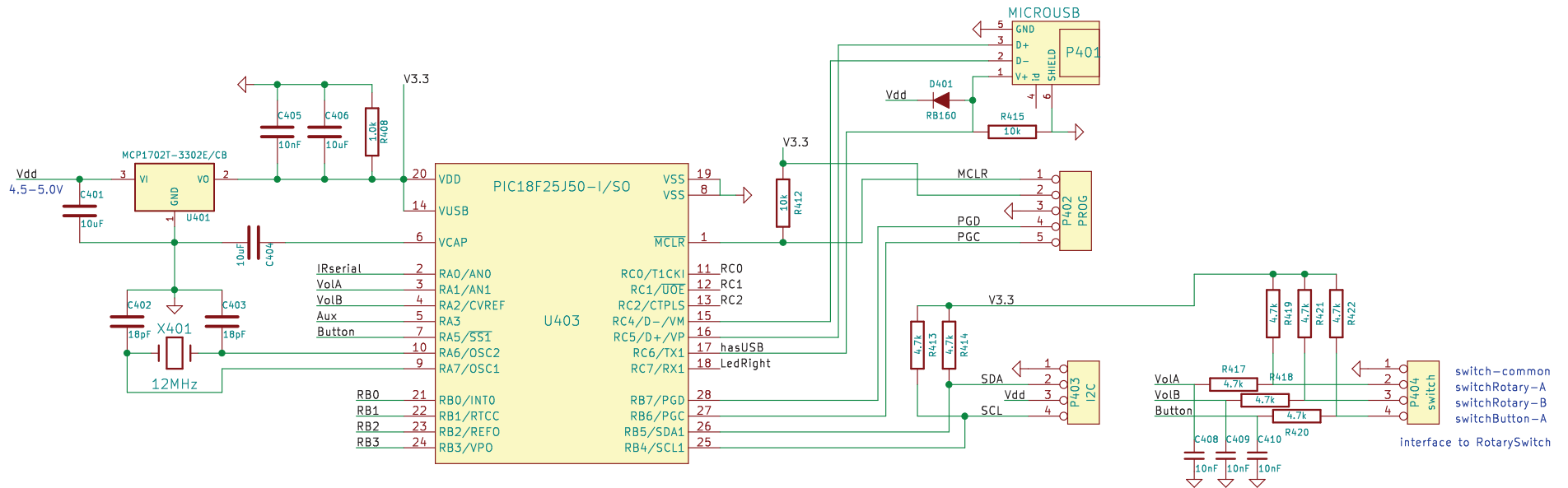
Size: A4 Date: 2016-08-27

KiCad E.D.A. kicad 4.0.2-stable

Rev:

Id: 2/4





Permission for free use for personal/DIY application only

Copyright 2016

Jos van Eijndhoven

Sheet: /SheetFront/

File: relaxedFront.sch

Title: Relaxed-Passive -- Front panel

Size: A4 Date: 2016-08-27

KiCad E.D.A. kicad 4.0.2-stable

Rev:

Id: 4/4

