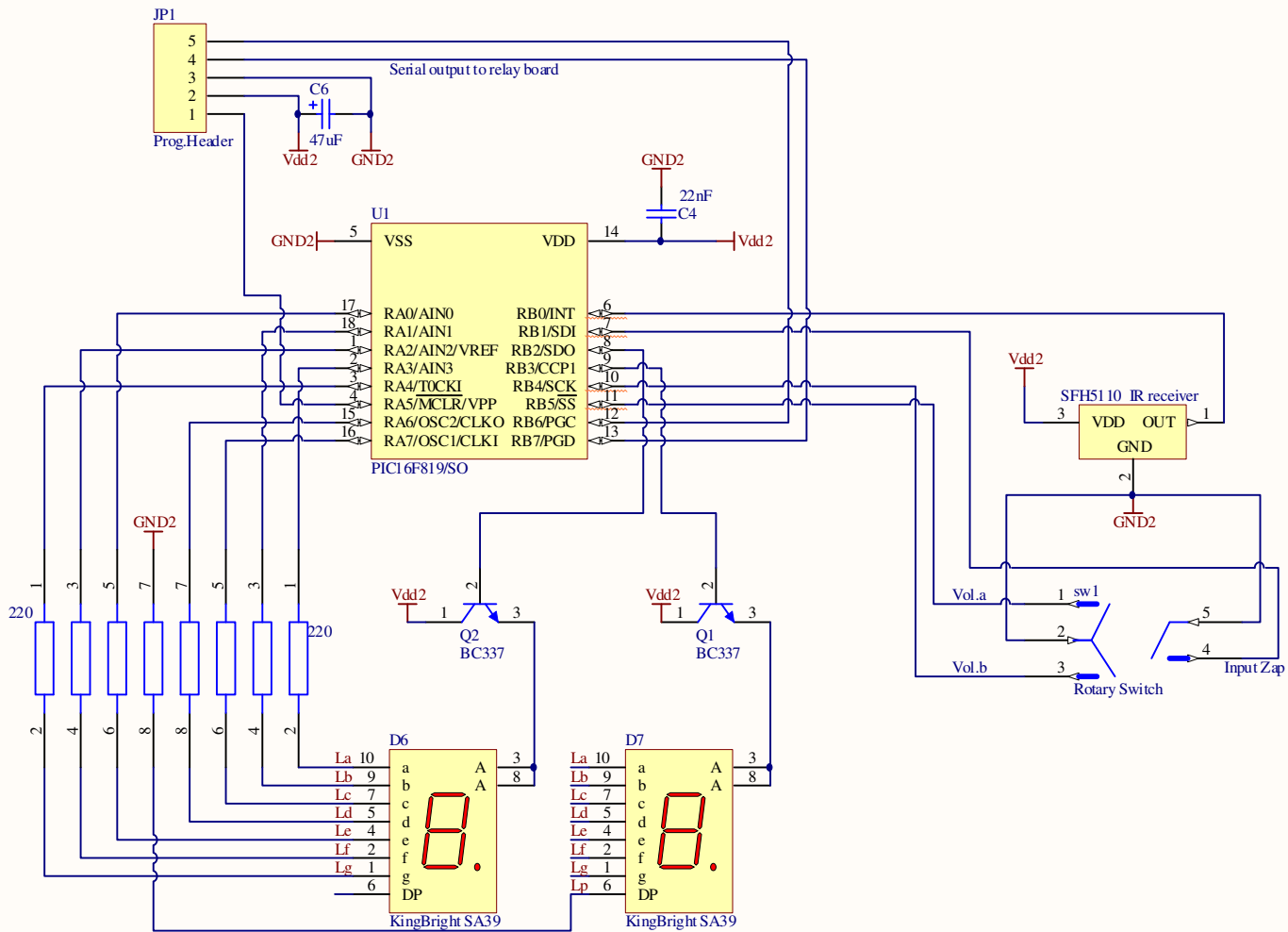


Title		
Audio Volume with relays and IR remote control - relay print		
Size	Copyright by Jos van Eijndhoven, The Netherlands	Revision
Date:	15-2-2008	Sheet of
File:	E:\Documents\osl.\SheetRelays.SCHDOC	Drawn By: jos@vaneijndhoven.net



The 220-ohm resistors are per four in a 8-pin SIL (single-in-line) package. □
 This package is symmetric, so either mounting in the PCB is OK.

Title		
Audio Volume with relays and IR remote control - display print		
Size	Number	Revision
A4		
Date:	15-2-2008	Sheet of
File:	E:\Documents\Jos\.\SheetDisplay.SchDoc	Drawn By: Jos van Eijndhoven